

# Pass Through P 7045

## Pass Through P 7045

This quite flat pass through has been designed for simple cash and document transactions and is also used in addition to transfer tray units.

It is installed in porters' and reception desks as well as in banks, cash points and general cashier desks.

The pass-through height of 30 mm is sufficient for Euro coin rolls. Size, execution and design are adapted to models P 7010 up to P 7025.

## Security

P 7045 is constructed and produced according to the guidelines of BGV C9 (former UVV-Kassen).

## Construction and finish

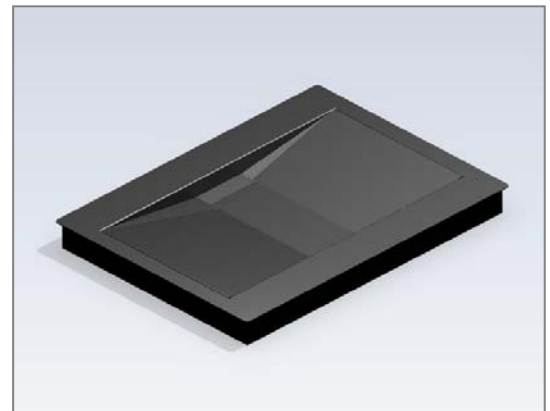
The outer cover frame is the same as at similar transfer trays. Like the inner pass-through tray it is produced from solid steel sheet with an extremely abrasion-resistant black structure lacquering (RAL 9005, Jet black).

## Installation

The tray can be inserted from above into the prepared cut-out of the counter. The edges of the frame cover the cut-out. For a completely flush installation, the 1,5 mm thick cover edge can be milled into the desk.

With the clamp brackets that are included in the delivery, from below the tray is invisibly fastened to the desk plate

It needs to be guaranteed that in case of any repair or maintenance work at a later stage, the unit can be easily dismantled.



## Scope of delivery (Item No.: 100542)

Pass Through P 7045 – execution standard black with 6 pcs. clamp brackets

## Possible variants

P 7045/VA, Item No.: 100597

all visible surfaces in stainless steel, brushed (V2a)

P 7045/EV1, Item No.: 100595

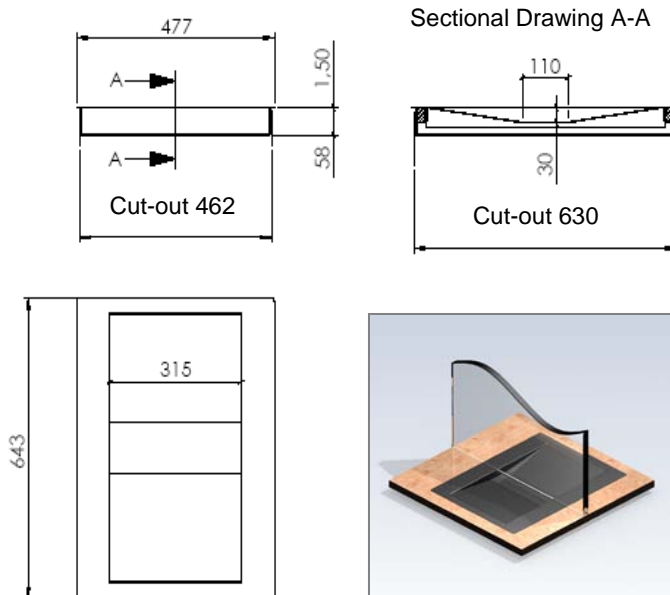
all visible surfaces in aluminium, anodized (EV1)

as well as other executions with different colors or with customized cover frames:

Please contact us.

## Intercommunication System

We recommend our Intercom System Delta to allow customer-friendly communication between operator and customer.



## Security

Bulletproof according to BGV C9 (former UVV Kassen)

## Cash desk cut-out:

W x D = 462 x 630 mm

## Outer dimensions:

W x H x D = 477 x 58 x 643 mm

## Inner clearance:

W x H x D = 315 x 30 x 110 mm

## Required information for order:

Name and Item No.

(Our recommendation: Intercom System Delta)