

Pass Through P 7041

Pass Through P 7041

This quite flat pass through has been designed for simple cash and document transactions and is also used in addition to transfer tray units.

It is installed in porters' and reception desks as well as in banks, cash points and general cashier desks.

The pass-through height of 30 mm is sufficient for Euro coin rolls.

Construction and finish

The flat tray is produced from durable, impact plastic with an extremely abrasion-resistant black structure lacquering (RAL 9005, Jet black).

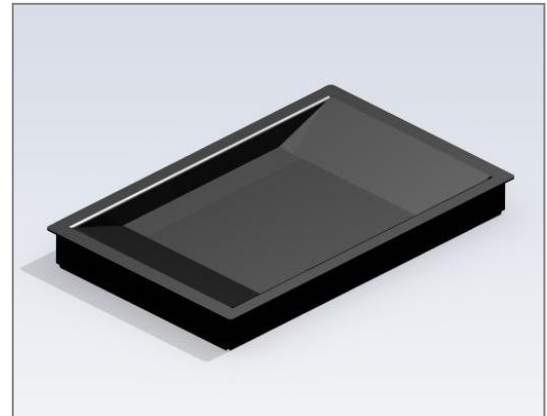
The bearing plate is from 2,0 mm strong, zinc-coated steel sheet.

Installation

The tray can be inserted from above into the prepared cut-out of the counter. The edges of the frame cover the cut-out. For a completely flush installation, the 1,5 mm thick cover edge can be milled into the desk.

With the clamp brackets that are included in the delivery, the tray is from below invisibly fastened to the desk plate

It needs to be guaranteed that in case of any repair or maintenance work at a later stage, the unit can be easily dismantled.



Scope of delivery (Item No.: 100545)

Pass Through P 7041 – execution standard black with 6 pcs. clamp brackets

Possible variants

P 7041/VA, all visible surfaces in stainless steel, brushed (V2a)

(Item No.: 102908)

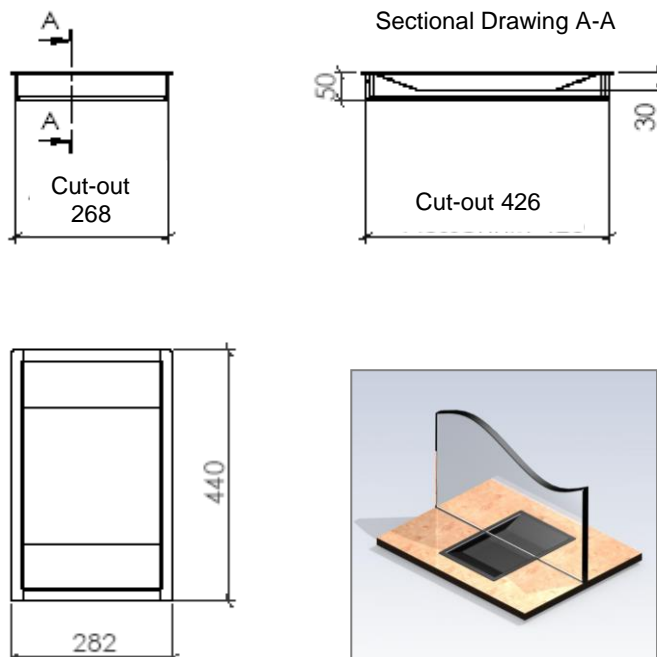
Attention: slightly different dimensions!

as well as other executions with different colors or with customized cover frames:

Please contact us.

Intercommunication System

We recommend our Intercom System Delta to allow customer-friendly communication between operator and customer.



Cash desk cut-out:

W x D = 268 x 426 mm

Outer dimensions:

W x H x D = 282 x 50 x 440 mm

Inner clearance:

W x H x D = 220 x 30 x 200 mm

Required information for order:

Name and Item No.

(Our recommendation: Intercom System Delta)