

# Pass Through P 7040

## Pass Through P 7040

This quite flat pass through has been designed for simple cash and document transactions and is also used in addition to transfer tray units.

It is installed in porters' and reception desks as well as in banks, cash points and general cashier desks.

The pass-through height of 30 mm is sufficient for Euro coin rolls.

Special recessed grips are integrated on the cashier and customer side to enable an easy removal of coined money, resp. single coins.

## Security

P 7040 is constructed and produced according to the guidelines of BGV C9 (former UVV-Kassen).

## Construction and finish

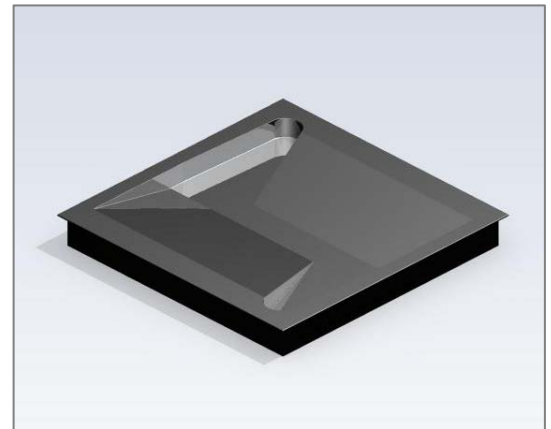
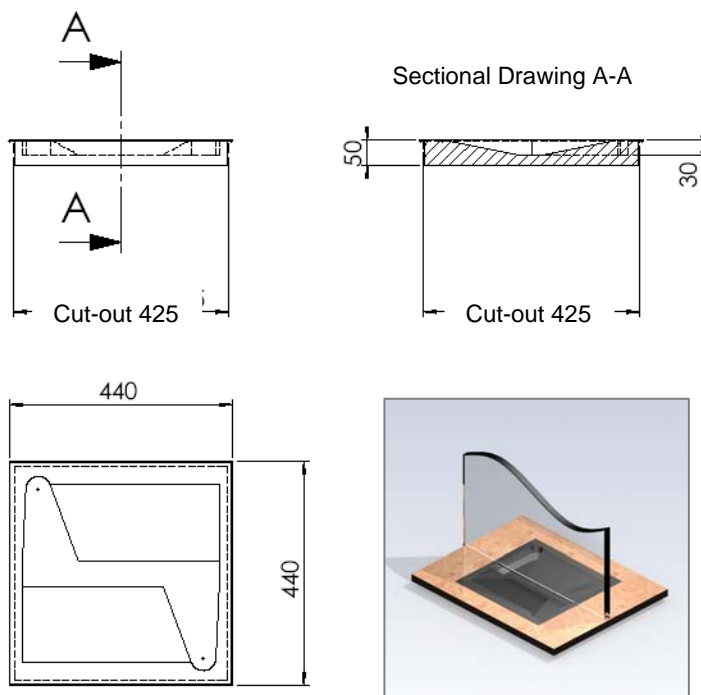
The flat tray is produced from durable, impact plastic with an extremely abrasion-resistant black structure lacquering (RAL 9005, Jet black). The casing of the tray is from solid, zinc-coated steel sheet.

## Installation

The tray can be inserted from above into the prepared cut-out of the counter. The edges of the frame cover the cut-out. For a completely flush installation, the 1,5 mm thick cover edge can be milled into the desk.

With the clamp brackets that are included in the delivery, the tray is from below invisibly fastened to the desk plate

It needs to be guaranteed that in case of any repair or maintenance work at a later stage, the unit can be easily dismantled.



## Scope of delivery (Item No.: 100054)

Pass Through P 7040 – execution standard black with 6 pcs. clamp brackets

## Possible variants

P 7040/S with bullet-resistant cover, made from 5 mm steel sheet, Item No. 103758

as well as other executions with different colors or with customized cover frames:

Please contact us.

## Intercommunication System

We recommend our Intercom System Delta to allow customer-friendly communication between operator and customer.

## Security

Bulletproof according to BGV C9 (former UVV Kassen)

## Cash desk cut-out:

W x D = 425 x 425 mm

## Outer dimensions:

W x H x D = 440 x 50 x 440 mm

## Inner clearance:

W x H x D = 360 x 30 x 50 mm

## Required information for order:

Name and Item No.

(Our recommendation: Intercom System Delta)