

Transfer Tray P 7038

Transfer Tray P 7038

This unit was designed for flush mounting into cash desks of high-security areas. It is intended for indoor use in central banks, embassies, prisons and the army, especially when larger goods are passed-through. The steel rail on top of the unit makes sure that the glazing above can be connected without slots and gaps.

Security

P 7038 is available in bulletproof classification FB6-NS. On request we send you the respective test certificate. Of course, with an additional casing the unit can be delivered according to FB7*-NS.

Operation

The unit is operated manually and locks in both end positions. It automatically unlocks when moving the tray by pushing or pulling the lever. The opening that respectively arises is closed by a counter-moving cover plate to prevent from unintended insertion of goods into the cabinet.

Construction and finish

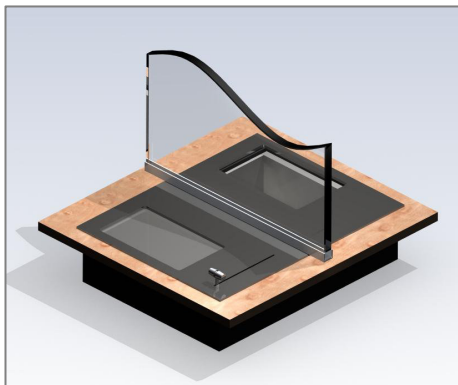
Robust steel construction with long-living and maintenance-free mechanics. Cover frame and movable cover plate with abrasion-resistant structure lacquering (RAL 9005, Jet black).

Installation

The unit can be fitted into the prepared cut-out of the counter either from above or below and is solidly underpinned so the cover frame is flush with the counter. The surrounding gap has to be adequately sealed. In order to build in the unit completely flush with the counter, the desk plate can be milled.

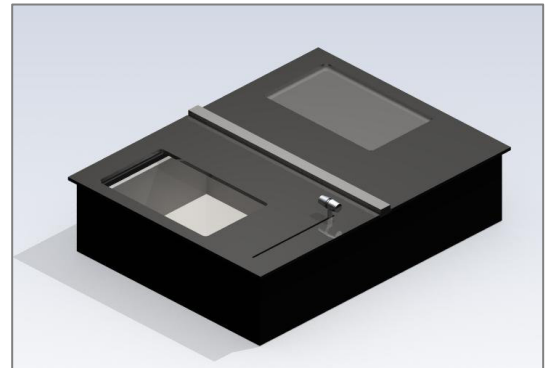
In any case, the unit has to be supported by e.g. consoles to make sure that the whole weight does not burden on the cover frame.

It should be also possible to dismantle the unit in case of later repairs and maintenance work will be necessary.



Intercommunication system

We recommend our Intercom System Delta to allow customer-friendly communication between operator and customer.



Scope of delivery – execution standard black

P 7038 – FB6-NS (Item No.: 100784)

P 7038 - FB7*-NS (Item No.: 100785)

Possible variants

P 7038/O, for pass-through of large files (DINA4)

P 7038/VA - either in FB6-NS or FB7*-NS

frame and counter moving cover plate in stainless steel V2a brushed

P 7038/EV1 - either in FB6-NS or FB7*-NS

frame and counter moving cover plate in aluminium EV1 anodized

Possible are also combinations of the above mentioned units as well as units for thicker walls or with special dimensions, different colours and materials.

P 7038 – removable insertion plate to reduce pass-through height to 30 mm

Please contact us.

Security (Bulletproof acc. to DIN EN 1522)

FB6-NS (also BGV C9 - UVV Kassen)

Cash desk cut-out:

W x D = 606 x 786 mm

Outer dimensions:

W x H x D = 600 x 195 (216) x 780 mm

Inner clearance:

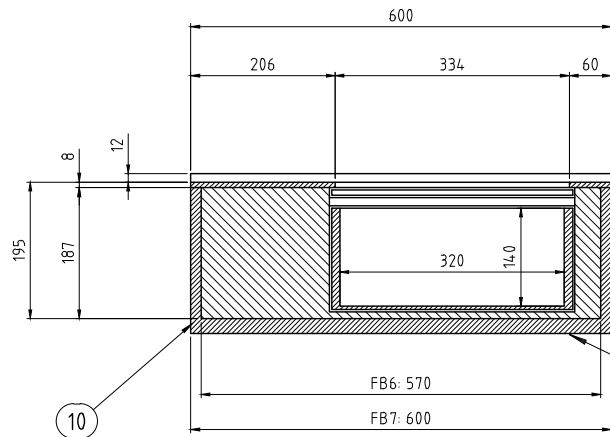
W x H x D = 320 x 140 x 320 mm

Required information for order:

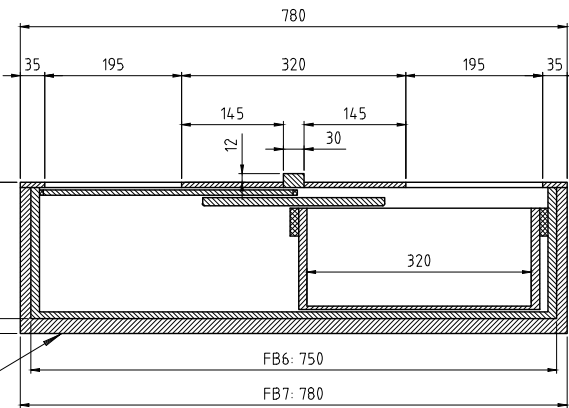
Name, item no. and execution

(Our recommendation: Intercom System Delta)

FB7*-NS (tested according to M5 - DIN 52 290)



cashier



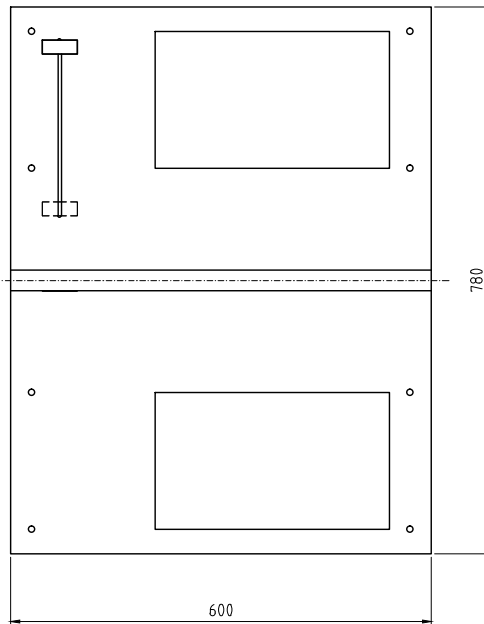
customer

Casing only needed for FB7!
for this order:

yes or: no
(please tick appropriate)

desk cut-out: 606 mm x 786 mm

cashier



customer

production: pcs.

approval for production

date:

stamp and signature

Allgemeintoleranzen DIN ISO 2768 - m
Tolerierung DIN ISO 8015

	über 10	über 30	über 100	über 300	über 1000
bis	bis	bis	bis	bis	bis
6	30	100	300	1000	2000
±0,1	±0,2	±0,3	±0,3	±0,5	±1,2

für Geräte- und Einzelteil ISO 2768 Toleranzklasse K
±0,05 | ±0,1 | ±0,2 | ±0,4 | ±0,6 | ±0,8

0,1	0,3	0,4	0,6	0,8	1
-----	-----	-----	-----	-----	---

Das Urheberrecht an dieser Zeichnung und sämtlichen Belegen verbleibt bei SITEM. Sie sind dem Auftraggeber nur zur persönlichen Gebrauch zu erlauben. Ohne unsere schriftliche Genehmigung dürfen sie nicht ververvielfältigt, nicht Dritten preisgeben oder sonstwie genutzt werden. Nichterfüllte Bestellungen sind dem Auftraggeber oder SITEM bei Fäll- und Fristenrückmeldung.



Auftrag: -

Projekt-Nr.: -

Kunde: -

Werkstoff:

Vers. Änderung Datum Name

Erstellt | Gläser | 12.12.2008

Geändert | Kl. Gläser | 25.11.2014

Geprüft | Name | Datum

Wenn ohne Angabe: Kunden: Graffrei 6-5; Oberfläche: DIN ISO 1502 Rein2 Rz 50

Benennung: P 7038 customer's drawing standard

Desname: XP7038V7_0015_00_0_2.DWG

Massstab: 1:5

Formal: A2

Zeichnungsnummer: 7.0015.00

Index: 0

Artikel-Nr.:

Ursprung: