

## P 7033 Transfer Tray

### P 7033 Transfer Tray

This **electrically operated** unit has been designed for flush mounting into counters. It is mainly used indoors in banks, porters' offices and other cash areas, which set particular store by easy, comfortable operation.

The brush seal supplied with the unit ensures that it is more or less draught-free.

The P 7033 clearance can be increased from 30 mm to 85 mm by removing the inlay sheet. If there are to be mainly coin transactions, we can optionally supply an inlay sheet which facilitates the removal of coins.

### Security

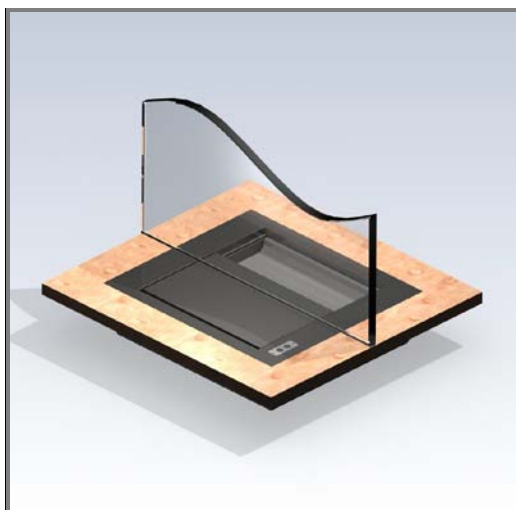
The P 7033 is available in accordance with bullet-resistance class FB4. We can supply our test certificate, if required, for the manual version of the tray (P 7032).

### Operation

The unit is electrically operated (a 230 volt socket is required). The carriage and the cover plate are counter-moving. When the flush-mounted button is pressed, the tray moves to the opposite side. Adjustable slip clutches prevent injuries – and in addition, the moving parts have cushioned protection strips.

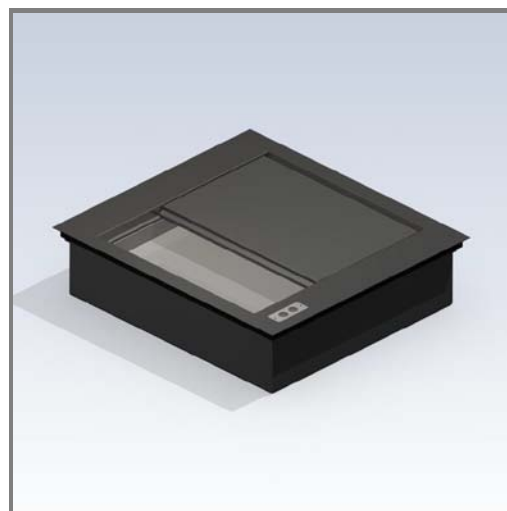
### Construction and Finish

Strong steel construction, the cover frame and the moving cover plate are, as standard, structurally lacquered in an abrasion resistant black (RAL 9005, deep black). The money carriage and inlay sheet are made of stainless steel.



### Intercom

We recommend using our Delta intercom for customer-friendly communication between the operator and customer.



### Scope of Delivery (Item No.: 100683)

P 7033 Transfer Tray - standard black  
Removable inlay sheet in stainless steel  
Brush seal for the gap between the cover plate and the glass frame/glazing above

### Possible variations

P 7033/O, for pass-through of large DIN A 4 files

P 7033/VA, cover frame and counter-moving plate in brushed stainless steel

as well as combinations thereof, trays for thicker walls, different dimensions and other colours and materials.

**Security:** (Bullet resistance – in accordance with DIN EN 1522) FB4-NS (also BGV C9 - UVV Kassen)

### Cash desk cut-out:

W x D = 535 x 485 mm

### External dimensions:

W x H x D = 550 x 194 x 500 mm

### Inner clearance:

W x H x D = 384 x 86 x 274 mm

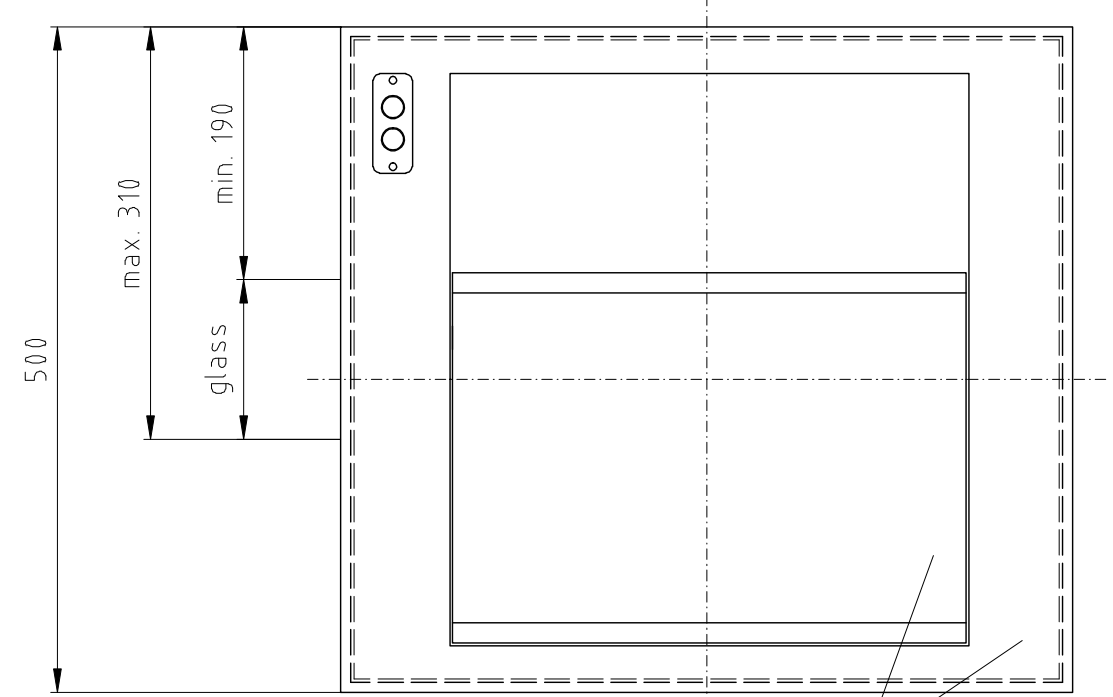
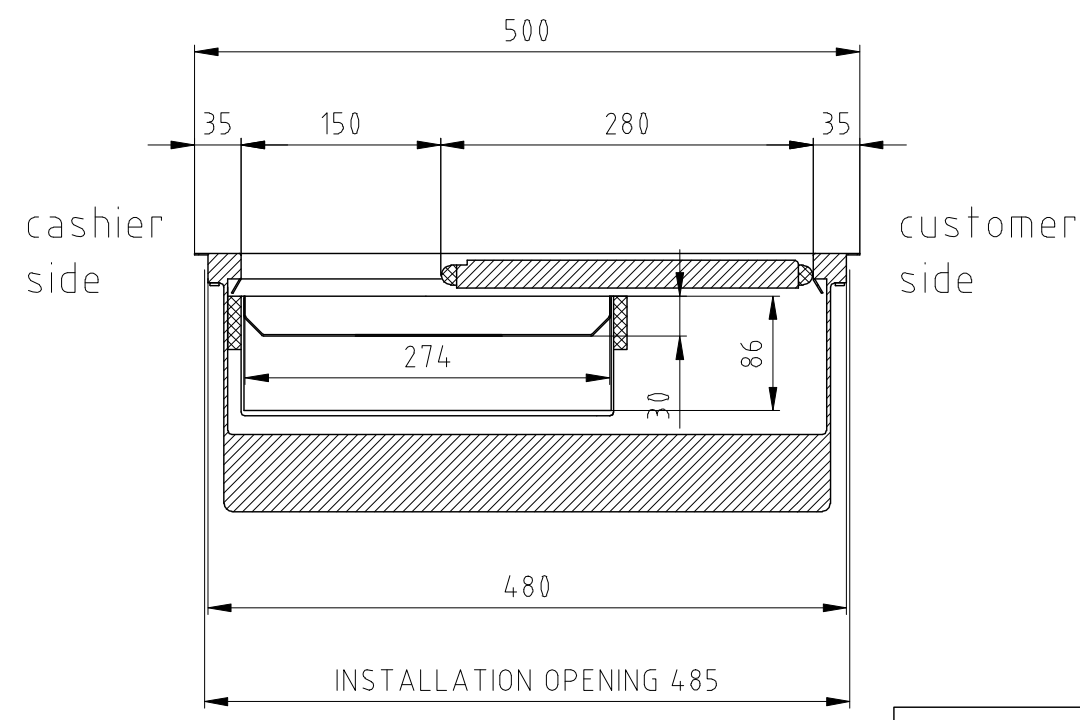
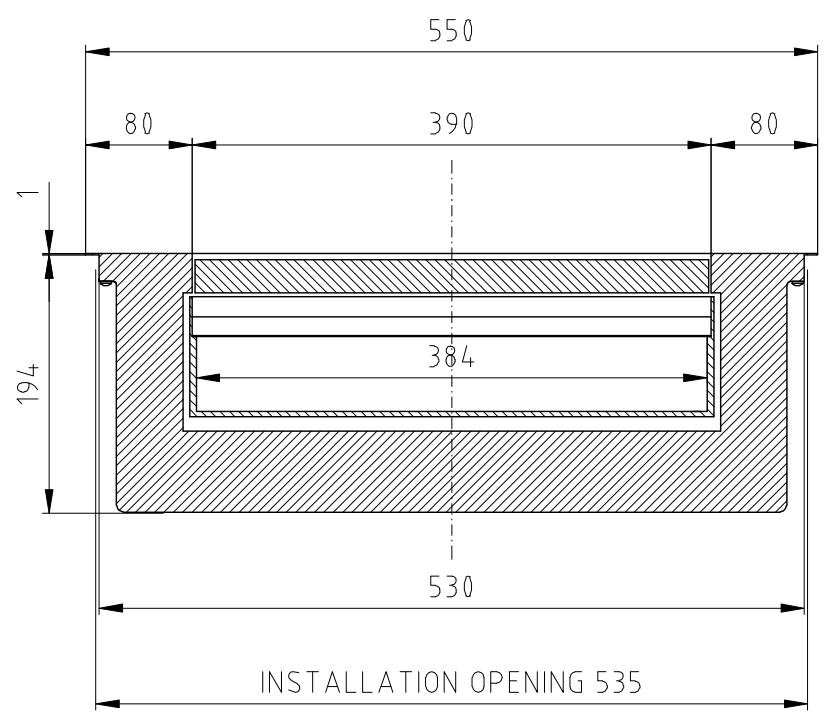
with inlay sheet H = 30 mm

### Required information for order

Description and Item no.

(our recommendation: Delta intercom)

Please contact us if you have a question.



Transfer Tray P 7033  
production ..... pcs.

approval for production  
date: \_\_\_\_\_  
stamp and signature

Allgemeintoleranzen DIN ISO 2768-1m  
Tolerierung DIN ISO 8015

	über	über	über	über	über
bis	6	30	100	300	1000
bis	bis	bis	bis	bis	bis
6	30	100	300	1000	2000
±0,1	±0,2	±0,3	±0,3	±0,5	±1,2
für Geradheit und Ebenheit ISO 2768 Toleranzklasse K					
±0,05	±0,1	±0,2	±0,4	±0,6	±0,8
für Rechtwinkligkeit ISO 2768 Toleranzklasse K					
0,1	0,3	0,4	0,6	0,8	1

Das Urheberrecht an dieser Zeichnung und sämtlicher Beilagen verbleibt bei uns. Sie sind dem Empfänger nur zum persönlichen Gebrauch anvertraut. Ohne unsere schriftliche Genehmigung dürfen sie nicht vervielfältigt, nicht dritten Personen mitgeteilt oder zugänglich gemacht werden. Widerrechtliche Benutzung durch den Empfänger oder Dritte hat zivil- und strafrechtliche Folgen.

**SITEC** SITEC GMBH  
SICHERHEITSEINRICHTUNGEN  
JOHANN-GEORG-HERZOG-STR. 19  
D-96369 Weissenbrunn  
TELEFON : 09261/60750  
TELEFAX : 09261/607510

Auftrag:					
Projekt-Nr.:	P 7033				
Kunde:					
Werkstoff:					
Wenn ohne Angabe:					
Kanten: Gratfrei R=0,2					
Oberfläche: DIN ISO 1302 Reihe2 Rz 50					
Benennung:	P 7033 customer's drawing			Artikel-Nr.:	
Dosname:	X:P7033\7_7033_00_0_2.DWG			Ursprung:	
Vers.:	Änderung		Datum	Name	
Erstellt	Glaser	03.12.2008			
Geändert	Glaser	03.12.2008	Massstab: 1:5	Format: A3	
Geprüft			Zeichnungsnummer:	Index:	
Name	Datum		7.7033.00	0	