

Transfer Tray P 7032, EI 30

Transfer Tray P 7032, EI 30

This unit was designed for flush built-in into cash desks. It is intended for indoor use in banks, porters' offices and other cash areas. Due to its flat construction, it can be set in everywhere there, where only a low built-in height is available. Included in delivery is a sealing brush in order to ensure that the unit is rather free of draught.

Security

P 7032 has been tested in fire-resistance classification EI 30 following* DIN EN 1634-1 in combination with DIN EN 1363-1. On request we send you the examination report.

* A division of the transfer tray construction into a fire-resistant classification according to the above stated norm is formally not possible as these norms do not foresee any classification scheme for transfer trays.

Operation

The unit is operated manually. Money carriage and counter moving cover plate lock in their end positions. Unlocking is possible by pushing the slide control next to the handle.

Construction and finish

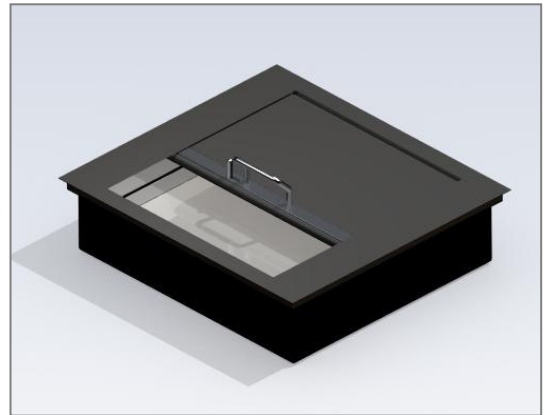
Robust steel construction with long-living and maintenance-free mechanics. Cover frame and counter moving cover plate with abrasion-resistant structure lacquering (RAL 9005, Jet black). The money carriage with inserted plate is made of stainless steel.

Installation

The unit can be inserted from above into the prepared cut-out of the counter. In order to build in the unit completely flush with the counter, the desk plate can be milled.

The unit has to be supported by e.g. consoles to make sure that the whole weight does not burden on the cover frame.

It should be also possible to dismantle the unit in case of later repairs and maintenance work will be necessary.



Scope of delivery (Item No.: 119766)

Transfer Tray P 7032, EI 30 - Standard Jet black
 Inserted stainless steel plate, removable
 Sealing brush to close the gap between cover plate and glass frame

Intercommunication system

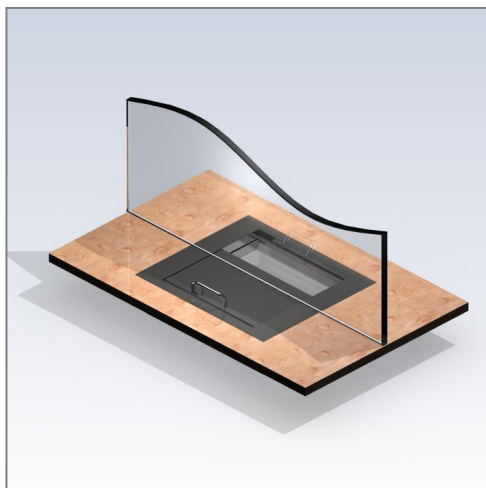
We recommend our Intercom System Delta 2.0 to allow customer-friendly communication between operator and customer.

Possible variants

P 7032 EI 30/VA, frame and counter moving cover plate covered with stainless steel V2a brushed (Item No.: 119768)

Possible are also combinations of the above mentioned units as well as units for thicker walls or with special dimensions, different colours and materials.

Please contact us!



Security:

Fire-resistance EI 30 following* DIN EN 1634-1 and DIN EN 1363-1
 Bulletproof following DIN EN 1522: FB4-NS

Cash desk cut-out:

W x D = 577x 627 mm

Outer dimensions:

W x H x D = 590 x 159 x 640 mm

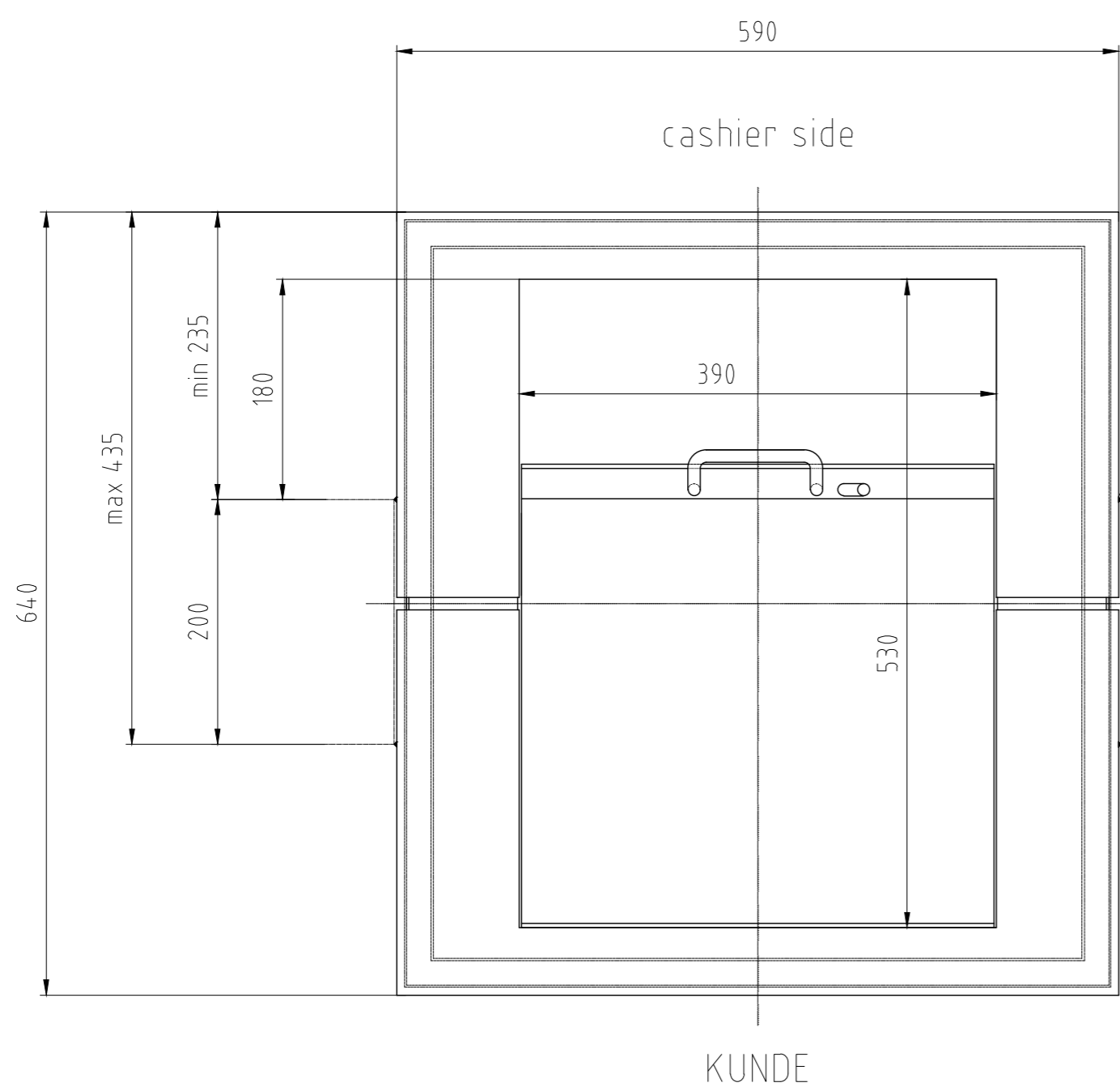
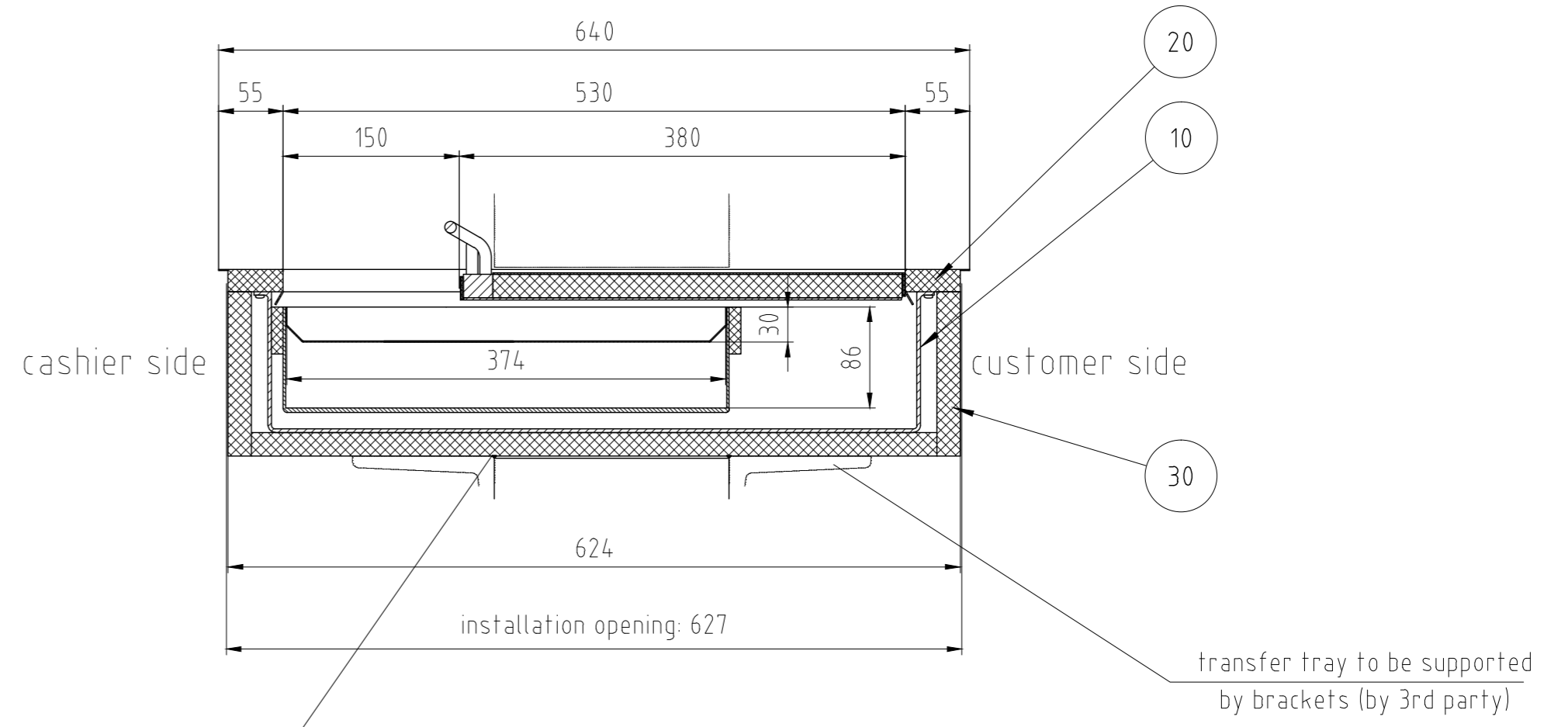
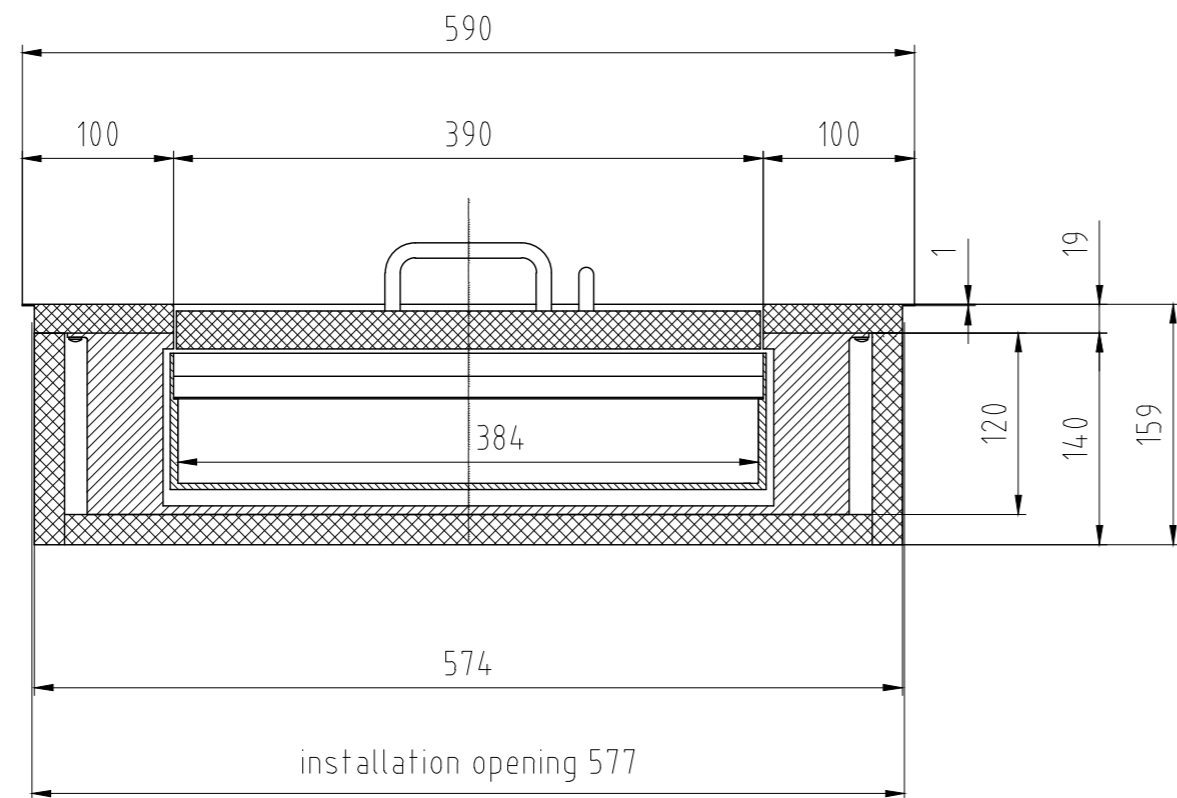
Inner clearance:

W x H x D = 384 x 85 x 374 mm

With inserted plate H = 30 mm

Required information for order:

Name and Item No.



splices between brickwork and P7032 to be filled with mineral wool and sealed

existing brickwork

Transfer Tray P 7032 EI30 S
(special depth +100mm)

production: pcs

surface, cover frame and counting moving tray:

.....

The transfer tray is inserted top-down into the prepared opening or slid in from cashier side.
The movement gear is mechanical.

To avoid overload of the coverframe, the transfer tray has to be supported by a 3rd-party sub-construction, e.g. steel pipes!

This device is manufactured with highest accuracy.
Anyway, repairs could become necessary after a long-term use.
For this purpose, the disassembling of the above positioned glass should be possible, or the option to pull out the device from customer side.

Subject to modifications.

- item no., option RAL 9005 black 119766
- item no., option stainless steel brushed: 119768
- item no., option stainless steel linen texture: 119769

approval for production	Allgemeintoleranzen DIN ISO 2768-1m Tolerierung DIN ISO 8015					Auftrag: - Projekt-Nr.: - Kunde: -	Werkstoff: -	Vers. Änderung Datum Name	Erstellt Wiedenmann 06.10.2015 Geändert Wiedenmann 07.10.2015 Geprüft Name Datum	Masstab: 1:5 Zeichnungsnummer: 7.0354.00	Format: A2 Index: 0																									
	<table border="1"> <tr> <td>über</td><td>über</td><td>über</td><td>über</td><td>über</td> </tr> <tr> <td>6</td><td>30</td><td>100</td><td>300</td><td>1000</td> </tr> <tr> <td>bis</td><td>bis</td><td>bis</td><td>bis</td><td>bis</td> </tr> <tr> <td>6</td><td>30</td><td>100</td><td>300</td><td>1000</td> </tr> <tr> <td>±0,1</td><td>±0,2</td><td>±0,3</td><td>±0,3</td><td>±0,5</td> </tr> <tr> <td>±0,1</td><td>±0,2</td><td>±0,3</td><td>±0,3</td><td>±0,5</td> </tr> </table>											über	über	über	über	über	6	30	100	300	1000	bis	bis	bis	bis	bis	6	30	100	300	1000	±0,1	±0,2	±0,3	±0,3	±0,5
über	über	über	über	über																																
6	30	100	300	1000																																
bis	bis	bis	bis	bis																																
6	30	100	300	1000																																
±0,1	±0,2	±0,3	±0,3	±0,5																																
±0,1	±0,2	±0,3	±0,3	±0,5																																
date	für Geradheit und Ebenheit ISO 2768 Toleranzklasse K ±0,05 ±0,1 ±0,2 ±0,4 ±0,6 ±0,8 für Rechtwinkligkeit ISO 2768 Toleranzklasse K 0,1 0,3 0,4 0,6 0,8 1					Dosname: X:P7032\7_0354_00_0_2.DWG	Ursprung:																													
stamp and signature	Das Urheberrecht an dieser Zeichnung und sämtlicher Beilagen verbleibt bei uns. Sie sind dem Empfänger nur zum persönlichen Gebrauch anvertraut. Ohne unsere schriftliche Genehmigung dürfen sie nicht vervielfältigt, nicht dritten Personen mitgeteilt oder zugänglich gemacht werden. Widerrechtliche Benutzung durch den Empfänger oder Dritte hat zivil- und strafrechtliche Folgen.					Wenn ohne Angabe: Kanten: Gratfrei R-3,2 Oberfläche: DIN ISO 1302 Reihe2 Rz 50		Benennung: P 7032 EI30 S dimensioned drawing special depth +100mm		Artikel-Nr.: auf Zg.																										

