

## P 8021 Glazed Counter

### P 8021 Glazed Counter

This counter element- ready for installation- is completely equipped and intended for the installation into a pre-plastered wall aperture. It is used as cash desk, porter's lodge or as late-night counter, ticket office-, pharmacy-, petrol station or reception counter and consists of the following components:

- Surrounding steel frame with a textured-lacquered finish
- inside counter element in easily maintained, linen-faced stainless steel
- P 7196 with bullet-resistance class FB4 with 50 mm height to give-through on the upper side and 157 mm height to give-through on the lower side
- integrated intercom system DELTA 2.0
- standard glazing in BR3-S

### Security

The P 8021 is supplied with bullet-resistant glazing to BR 3-S but can be fitted with any type of glazing up to BR 4-NS classification.

The front-opening counter P 7196 is tested in FB4-NS.

### Operation

The unit is operated manually. Both trolleys can be pushed to the outside and back again by a simple operation of the respective hand lever. The trolley is locking in both final positions.

### Construction and Finish

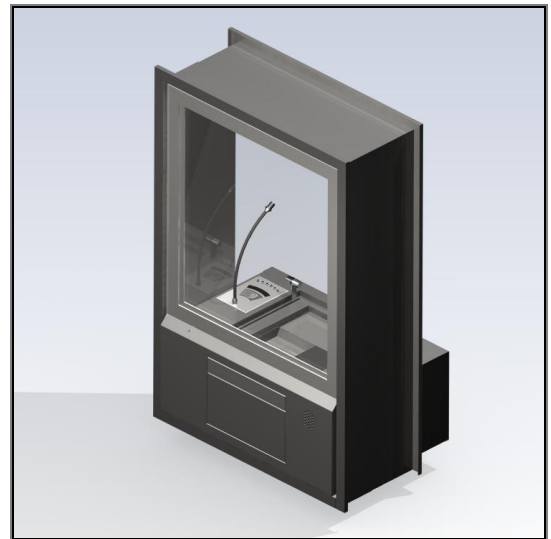
Surrounding steel frame with textured-lacquered version in RAL 7035, light grey. The desk element is equipped with easily maintained, linen-faced stainless steel with an integrated P7196 with a height to give-through of 50 mm on the upper side and 157 mm height to give-through on the lower side. Upper drawer with payment tray and surface, lower trolley for giving through large devices. The front cover is made of stainless steel V2a lacquered in RAL 7035 (light-grey). The glazing above is supplied as standard in bullet-resistance class BR3-S.

A complete Sitec Delta 2.0 intercom, ready to plug in, is integrated into the glazed counter.

### Installation

The P 8021 glazed counter is supplied assembled and fully cabled. Remove the outer half of the frame and push it from outside into the wall aperture, press it in firmly and screw it into the surrounding wall. The inner half of the frame is then pushed in from the other side and screwed into the outer half of the frame. A 230 volt standard socket is required on the inside to connect the integrated Delta 2.0 intercom.

Care should be taken that the unit can be easily disassembled should repairs or maintenance be required at a later stage.



**Scope of Supply** - (Article Number: 100607)

P 8021 Glazed counter

Lateral fixing brackets with elongated slots  
incl. the required screws

Parts for the Delta 2.0 intercom included

Operating instructions for the intercom

### Optional Items

P 8021, in higher glass bullet-resistance class BR 4-NS

P 8021 with lighting

P 8021 with blind inside, crank drive

Solution for covered outdoor use: please request.

as well as special models e.g. with special transfer tray dimensions, special colours (RAL), etc.

Details upon request.

### Security – Bullet-Resistance

P 7196 in FB4-NS

Glazing bullet – resistant to DIN EN 1522 in BR 3-S

(also to German Standard BGV C9 - UVV Kassen)

### Wall Aperture

W x H = 780 mm x 1.200 mm,  
Wall thickness ... mm (please state on order)

### Inside Pass Through Dimensions

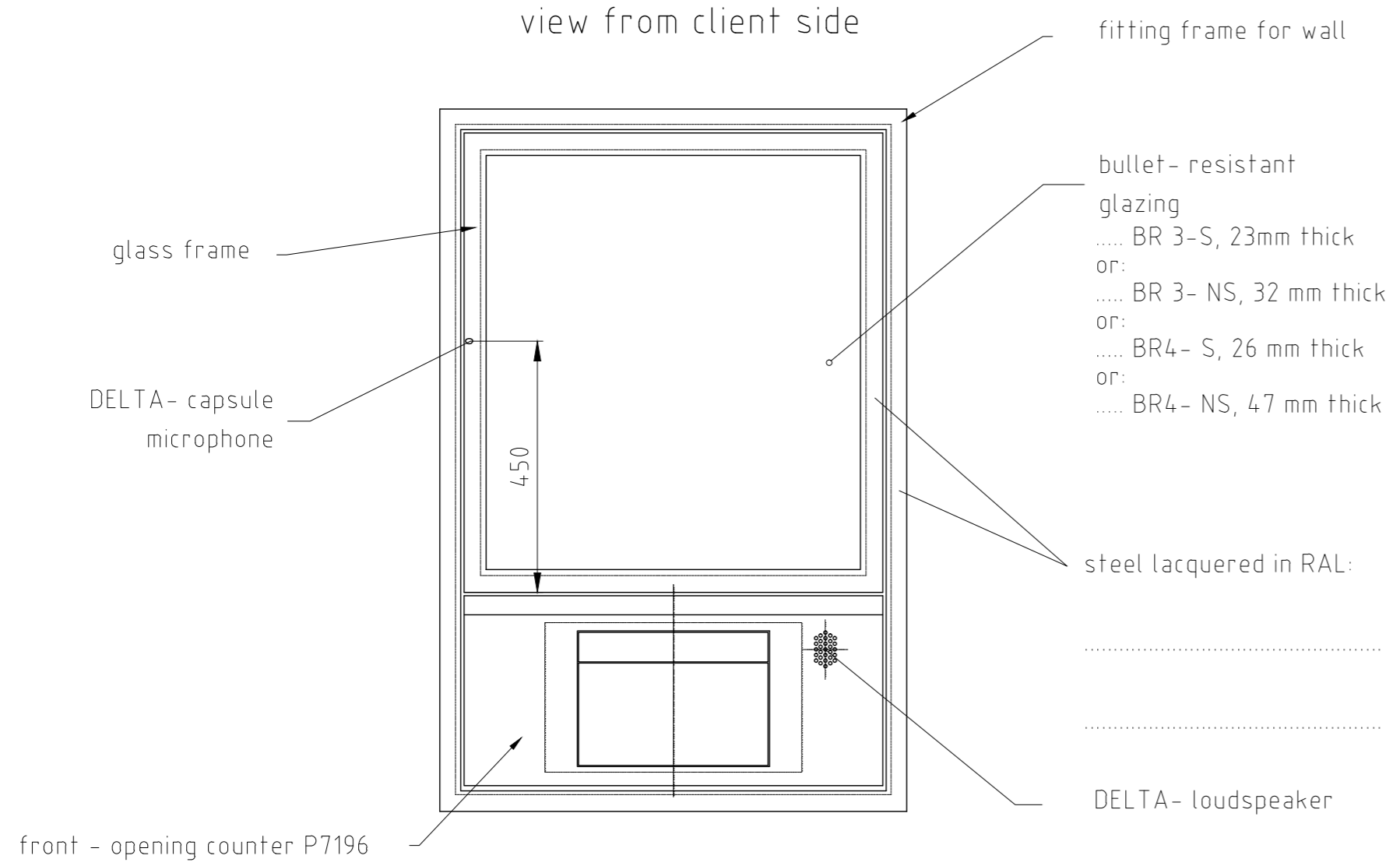
Upper side: W x H x D = 155 x 30 x 150 mm

Lower side: W x H x D = 310 x 157 x 443 mm

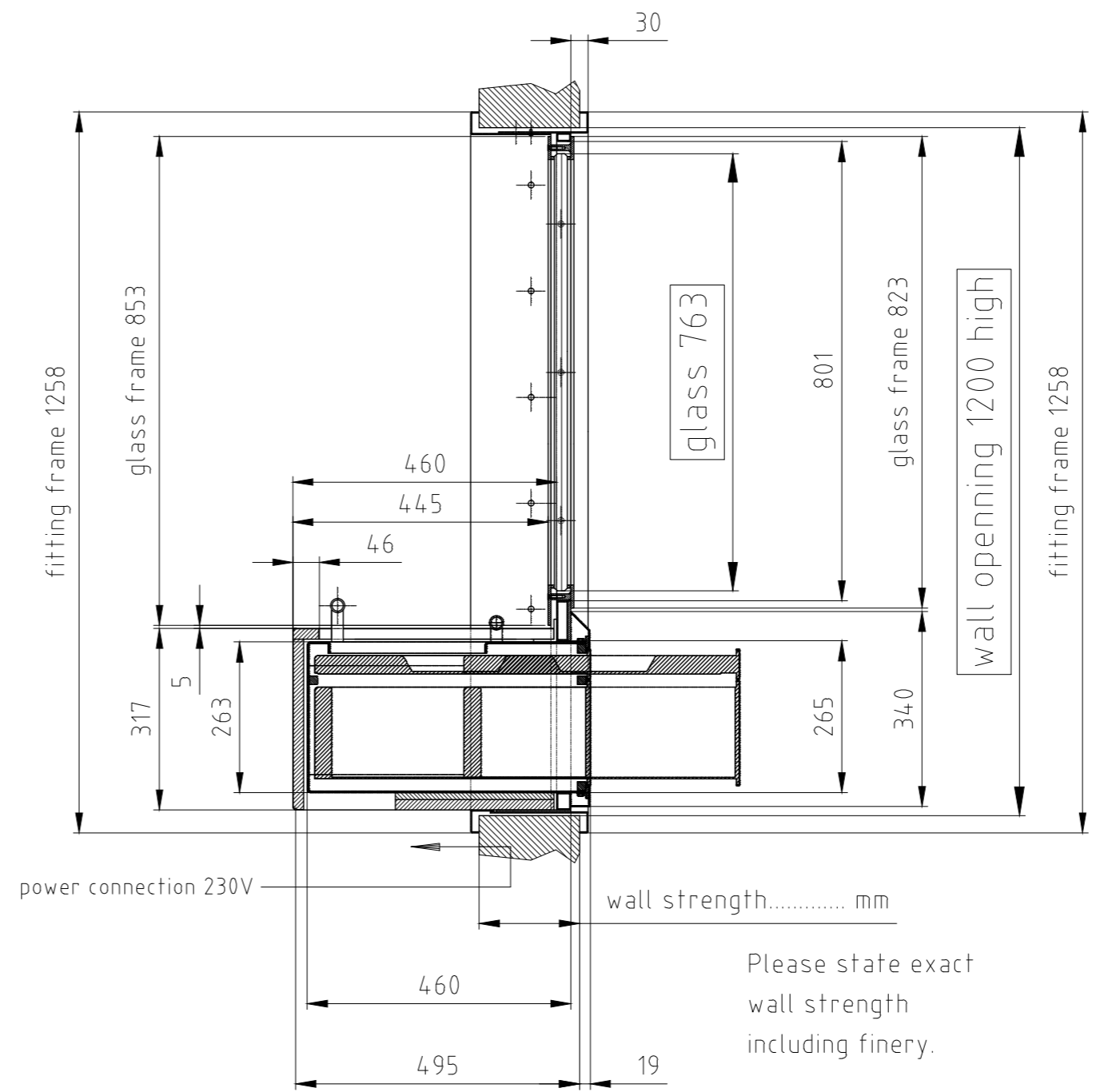
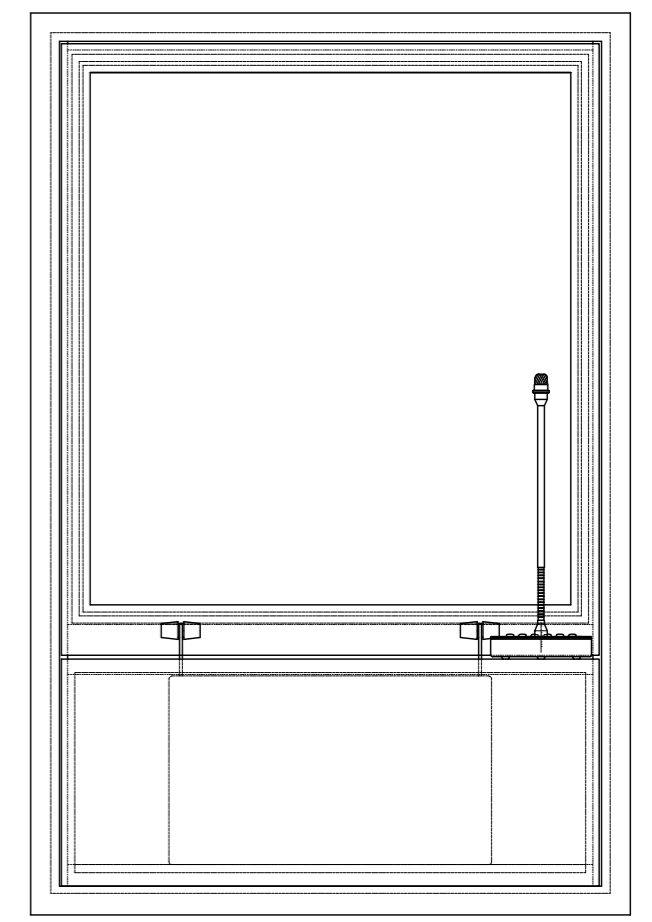
### Information Required on Order

Wall thickness and special colour, if required

view from client side

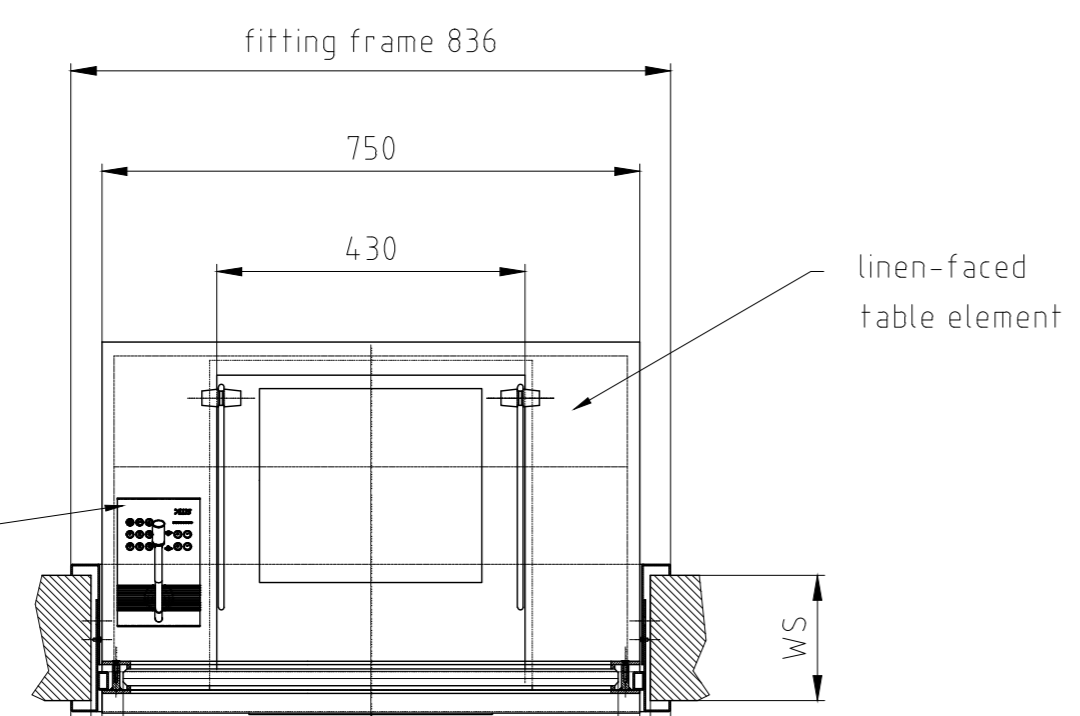


view from cashier side

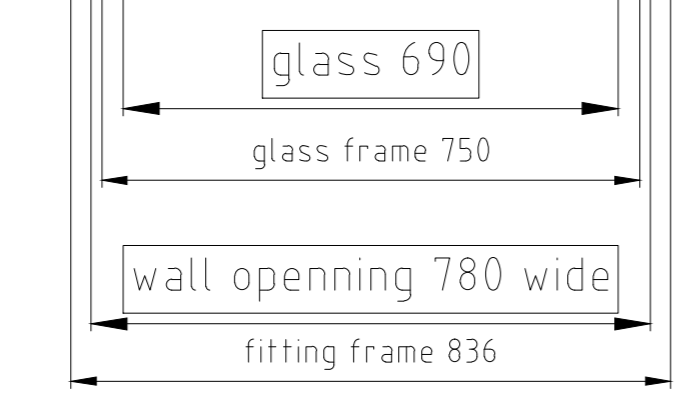


front - opening counter P7196

cashier side



client side



production: ..... pieces

approval for production  
date:  
stamp and signature

Allgemeintoleranzen DIN ISO 2768-1m Tolerierung DIN ISO 8015				
	über	über	über	über
bis	6	30	100	300
bis	30	100	300	1000
bis	100	300	1000	2000
±	±0,1	±0,2	±0,3	±0,5
für Geradheit und Ebenheit ISO 2768 Toleranzklasse K				
±	±0,05	±0,1	±0,2	±0,4
für Rechtwinkigkeit ISO 2768 Toleranzklasse K				
±	±0,1	±0,2	±0,4	±0,6
±	±0,1	±0,2	±0,4	±0,6
±	±0,1	±0,2	±0,4	±0,6

Auftrag: P 8021		Projekt-Nr.: P 8021		Kunde:	
Werkstoff:		1 Delta 2.0		13.09.13 Ke.	
Erstellt Napiralla		04.11.2013		Masstab: 1:10	
Geändert				Format: A2	
Geprüft				Zeichnungsnummer: 8.0207.01	
Name		Datum		Index: 1	
Benennung: P 8021 customer's drawing (with P 7196)		standard		Artikel-Nr.: 100607	
Dosname: X:P_8021\8_0207_01_1_2.DWG		Ursprung:			

**SITEC** SITEC GMBH  
SICHERHEITSSCHÜTTUNG  
JOHANN-SEBASTIANS-STR. 19  
D-96369 Weissenbrunn  
TELEFON : 09261/60750  
TELEFAX : 09261/60750