

P 5050 Turnstile

P 5050 Turnstile

Our 3-arm turnstile is used to control authorised and unauthorised access.

It has been developed as a mechanical barrier for public and semi-public areas, where a simple but effective means of preventing tailgating is required, despite high user numbers.

It is also easily adapted to accommodate changing visitor flows in either direction.

Operation

The default setting for the P 5050 turnstile is locked, and it only unlocks to allow passage when it receives a signal. Once the turnstile has turned 60 degrees, it cannot be turned back into the starting position. Anyone who has started passing through must therefore complete their passage.

The P 5050 turnstile is controlled by microprocessors. The integrated controls are designed for mono- or bi-directional passage and can be activated by buttons, card readers or a control panel.

Construction and Finish

The P 5050 turnstile is manufactured in stainless steel and therefore offers excellent wear resistance.

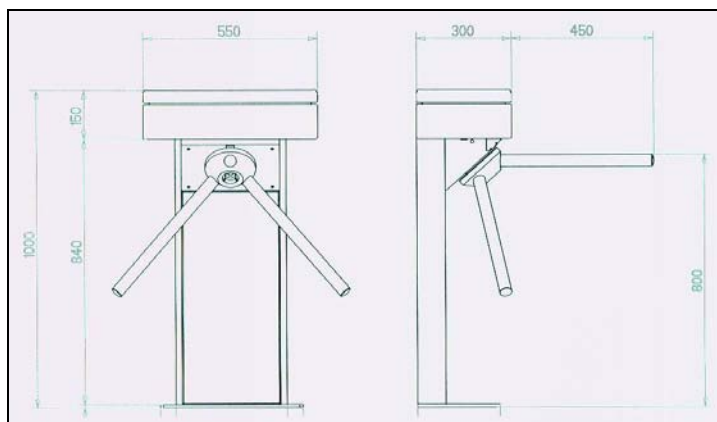
The arms can be rigid or electrically collapsible.

The electronics are divided between two areas: the power supply and the controls. Cabling comes from the finished floor through the inside of the main body.

The turnstile can be fitted with an LED indicator, which indicates whether the arm has been unlocked or locked in the direction of passage.

Side view:

Front view:



Installation

The P 5050 turnstile is designed for indoor use and is installed on a finished floor. If adequately protected overhead, it may also be installed outdoors.

The power supply and possible connecting cable to the control panel are brought in from below.



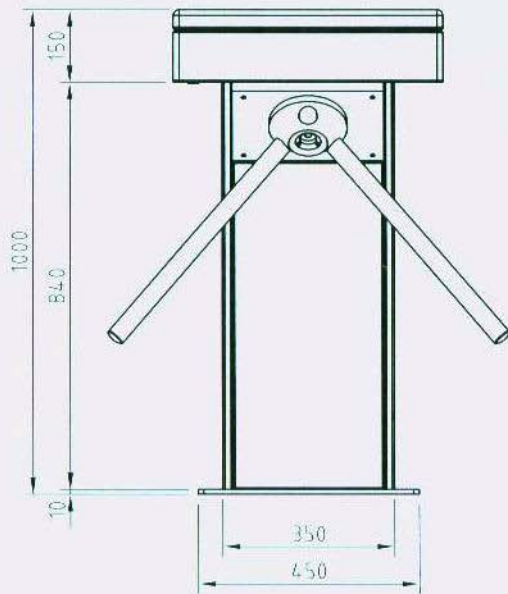
Ext. Length/Width:	approx. 550 / 750mm
Passage Width:	approx. 450mm
Height:	approx. 1000 mm
Power Supply:	230 V AC / 50 Hz
Operating Temperature:	-10/+50°C
Weight:	approx. 55 kg
Mech. Locking:	hydraulic

Optional:

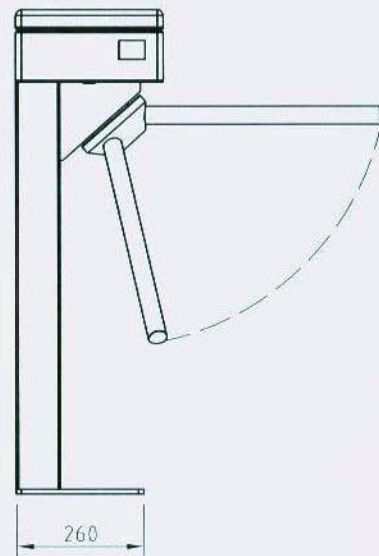
- * LED indicator
- * Operating panel
- * Electrically collapsible arms
- * Protection from climbing over and under
- * Numbers counter

P 5050 Turnstile

Side View



Front View



Cross Section

