

## P 2001 Doors and Partition Walls

### Construction:

- Universal vertical and horizontal stanchion system, with an extremely narrow, constant facing width of only 76 mm, throughout all official standards
- Appearance can be changed using aluminum sheaths with a suitable surface finish, veneering also possible
- Extremely flexible design due to having maximum possible glass surfaces
- MONO design for interior use
- ISO/VA design for sheltered exterior use
- Design can be combined with EI 30

### Applications:

- Door and Partition Wall Systems for interior and sheltered exterior use where there are elevated requirements for resistance to break-in, bullet and fire resistance
- Door and Partition Wall Systems for interior and sheltered exterior use where there are combined requirements for break-in, bullet and fire resistance
- National and Central Banks
- Financial Institutions
- Embassies and Consulates
- Police and Court Buildings (law courts, prisons, etc.)
- General cash office and high-risk areas

### Break-In-Resistance:

- RC 2 / DIN V ENV 1627 (ET1 / DIN V 18 103)
- RC 3 / DIN V ENV 1627 (ET2 / DIN V 18 103)
- RC 4 / DIN V ENV 1627 (ET3 / DIN V 18 103)

### Bullet-Resistance:

- BVG C 9 (German UVV-Kassen Classification)
- FB 4 - NS / DIN EN 1522 (M3 / LKA BW 1982)
- FB 6 - NS / DIN EN 1522 (M4 / LKA BW 1982)
- FB 7 - NS / DIN EN 1522 (M5 / LKA BW 1982)

### Fire-Resistance (with individual approval):

- EI 30 / DIN 13501 (T30 / DIN 4102-5) – General approval of building authorities in preparation.
- EI 60 / DIN 13501 (T60 / DIN 4102-5)

→ **and all possible combinations thereof**

### Technical Features:

- Cabling, buttons, switches and control lights can be installed flush-mounted in the section profiles – without detriment to the required standards
- Locks tested together with the doors for semi- and fully-automatic operation of the doors
- Appearance of door identical inside and out
- Design can be flush-mounted on both sides if required by use of cover panels or top panels with a circumferential groove (not suitable for glass)

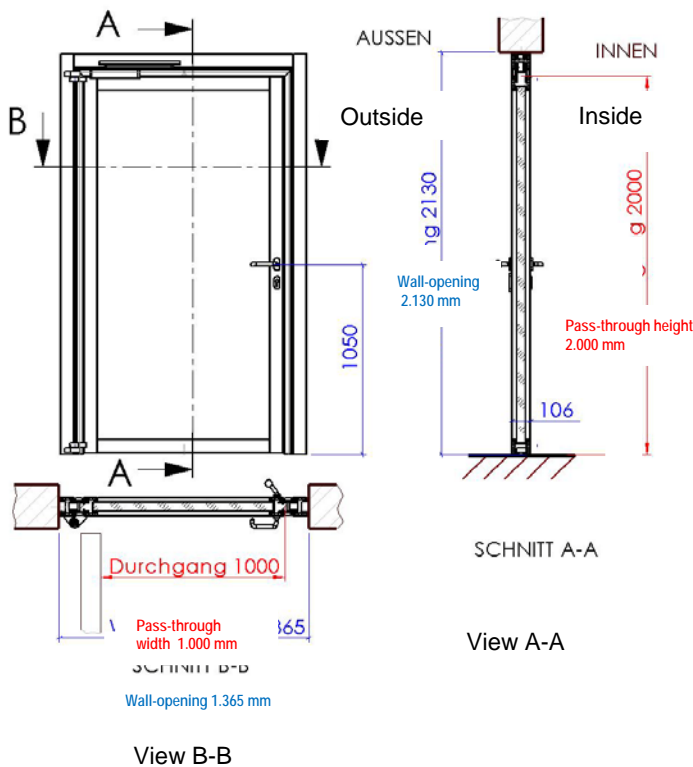
**NEW:** As of now door in glazed version available in combination FB 6 and RC 4 and EI 30!



## Standard Dimensions

### System Dimensions

(Single door / Surround)



Basic Dimensions (Surround)

Inside Dimensions

W x H = 1.000 x 2.125 mm

775 x 2.062 mm

W x H = 1.125 x 2.125 mm

900 x 2.062 mm

W x H = 1.250 x 2.125 mm

1.025 x 2.062 mm

W x H = 1.250 x 2.500 mm

1.025 x 2.437 mm

(add possible over-door window or side panel to each)

