

P 8011 Glazed Counter

P 8011 Glazed Counter

This counter unit for indoor use comes fully equipped and ready to install into a pre-plastered wall aperture. It is used as cash desk, or late-night, box office or reception counter, and consists of the following components:

- Surrounding steel frame with a textured, lacquered finish
- Counter surface on both sides in easily maintained, linen-faced stainless steel
- draught-reduced, stainless steel P 7032 transfer tray with bullet-resistance class FB4, integrated into the counter
- DELTA intercom, fully integrated
- Glazing to customer's requirements

Security

The P 8011 is supplied with bullet-resistant glazing to BR 3 - S, but can be fitted with any type of glazing up to BR 4 – NS classification. We have a test certificate for the complete FB 4 / BR 4 - NS version, which we are happy to supply upon request.

Operation

The unit is operated manually. The transfer tray and counter-moving cover plate lock in the two end positions. They are unlocked using the thumb on the lever to the left of the handle, and the tray can then be easily moved forward.

Construction and Finish

Steel frame in a textured, lacquered RAL 7035, light grey, finish. The counter surface is constructed from easily-maintained stainless steel with a linen finish and there is an integrated, draught-reducing P 7032 FB4 transfer tray (manual operation). The surface of the P 7032 and the payment tray is in stainless steel.

The glazing above is supplied as standard in bullet-resistance class BR3-S.

A complete SITEC-DELTA intercom, ready to plug in, is integrated into the glazed counter

Installation

The P 8011 glazed counter is supplied assembled and fully cabled. Remove the outer half of the frame and push it from outside into the wall aperture, press it in firmly and screw it into the surrounding wall. The inner half of the frame is then pushed in from the other side and screwed into the outer half of the frame. A 230 volt standard socket is required on the inside to connect the integrated DELTA intercom.

Care should be taken that the unit can be easily disassembled should repairs or maintenance be required at a later stage.



Scope of Supply - (Article Number: 100606)

P 8011 Glazed Counter

Lateral fixing brackets with elongated slots
incl. the required screws

Parts for the DELTA intercom included

Operating instructions for the intercom

Optional Items

P 8011, in higher bullet-resistance class BR 4-NS

P 8011, in E 30 fire-resistant design

P 8011 with lighting

P 8011 with blind

as well as special models e.g. with special transfer tray dimensions, special colours (RAL), etc.

Details upon request.

Security – Bullet-Resistance

P 7032 FB4 – NS transfer tray to DIN EN 1522, glazing in BR 3-S

(also to German Standard BGV C9 - UVV Kassen)

Wall Aperture

W x H = 780 mm x 1.200 mm,
Wall thickness ... mm (please state on order)

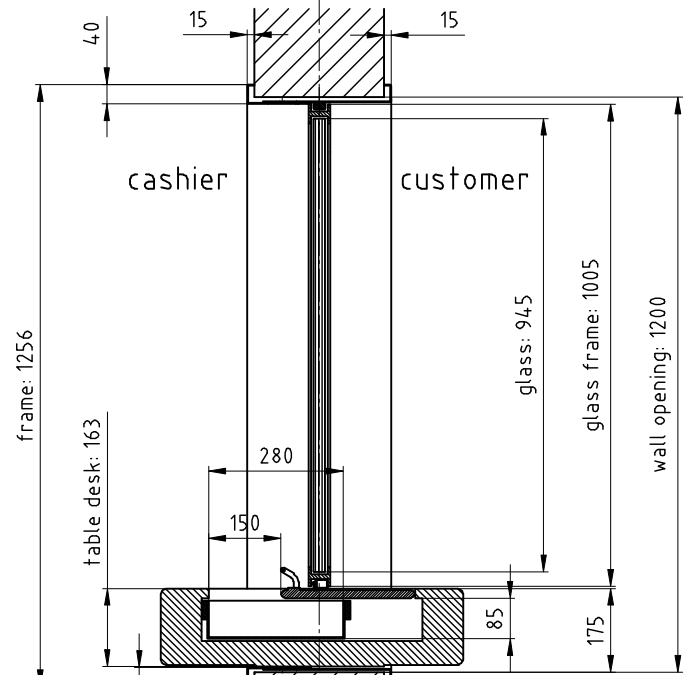
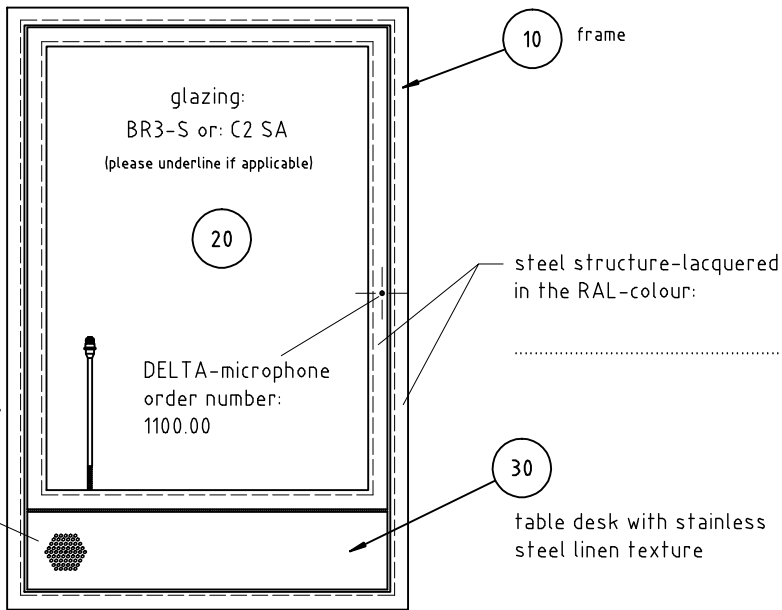
Inside Pass Through Dimensions

W x H x D = 384 x 86 x 274 mm

Information Required on Order

Description and article number, finish of intercom's main control

view customer

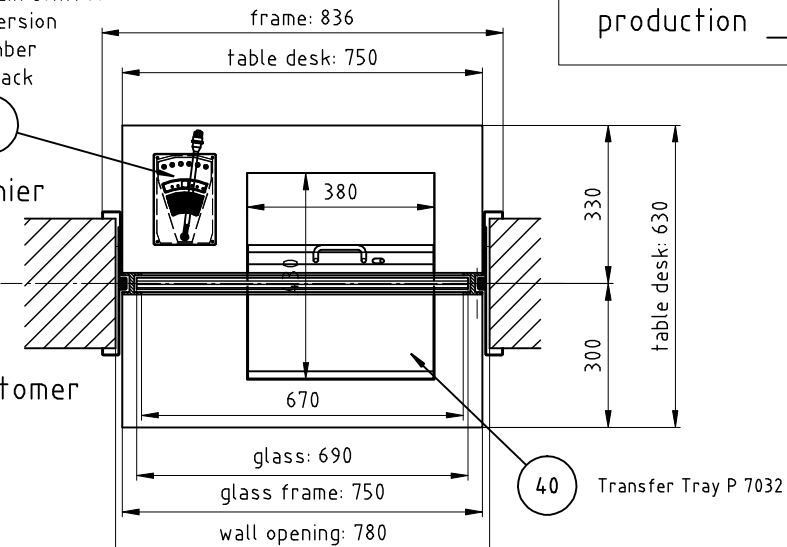


DELTA-main control
built-in version
order number
1032.02 black

50

cashier

customer



production ____ pcs.

status: 12.01.2004, Glaser

60
230 V - supply

strength of wall: mm
For your order pls. state
the precise strenght of
the finished wall incl.
plaster or cladding

approval for production

date: _____

stamp and signature

Allgemeintoleranzen DIN ISO 2768-1m
Tolerierung DIN ISO 8015

über		über		über	
bis 6	bis 30	bis 100	bis 300	bis 1000	bis 2000
±0,1	±0,2	±0,3	±0,5	±1,2	

für Geradheit und Ebenheit ISO 2768 Toleranzklasse K
±0,05 ±0,1 ±0,2 ±0,4 ±0,6 ±0,8

für Rechtwinkligkeit ISO 2744 Toleranzklasse K
0,1 0,3 0,4 0,6 0,8 1

Das Urheberrecht an dieser Zeichnung und sämtlicher Beilagen verbleibt bei uns. Sie sind den Empfänger nur zum persönlichen Gebrauch anvertraut. Ohne unsere schriftliche Genehmigung dürfen sie nicht ververvielfältigt, nicht Dritten Personen mitteilen oder zugänglich gemacht werden. Widersrechtliche Benutzung durch den Empfänger oder Dritte hat zivil- und strafrechtliche Folgen.

SITEC SITEC GMBH
SICHERHEITSEINRICHTUNGEN
JOHANN-GEORG-HERZOG-STR. 19
D-96369 Weisertbrunn
TELEFON : 09261/60750
TELEFAX : 09261/607510

Auftrag: P 8011

Projekt-Nr.: P 8011

Kunde:

Werkstoff:

Wenn ohne Angabe:
Kanten: Gratfrei R=0,2
Oberfläche: DIN ISO 1382 Reihe2 Rz 50

Benennung: P 8011 customer's drawing (BR3-S oder: C2 SA)
standard (with DELTA)

Desname: XP8011\8_0030_00_2_2.DWG

2 mit BRANS-Glas	20.02.03	Fi.
1 mit DELTA-Sprechanlage	08.11.00	Gl.
Vers.	Änderung	Datum
Erstellt	Glaser	13.03.2009
Geändert	Glaser	20.03.2009
Geprüft		
Massstab: 1:10		Formal: A3
Zeichnungsnummer: 8.0030.00		Index: 2
Name		Datum
Artikel-Nr.:		
Ursprung:		